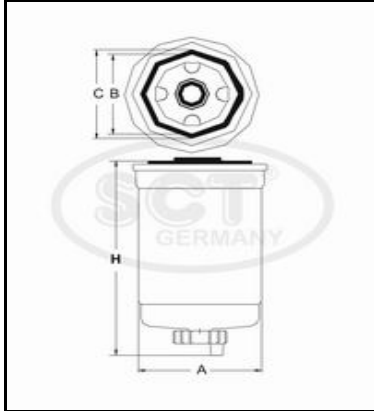


ST 6021 (Fuel)

Package: pcs.

A: 80,00 B: 21,00 C: D: E: F: G: H: 130,00 UGV: RSV:



Barcode: 4036021060217

Article number: 06021700000

Gross weight (kg): 0,3075

Net weight (kg): 0,2929

References:

BALDWIN	BF1203
BALDWIN	BF1236
BALDWIN	BF7582
BALDWIN	BF-7647
DONALDSON	P 55-0351
DONALDSON	P 55-0399
FLEETGUARD	FS-19516
FLEETGUARD	FS-19530
FRAM	PS-7407 A
FRAM	PS-7411
HASTINGS	FF1067
INGERSOL-RAND	35389527
INGERSOL-RAND	36534659
KRALINATOR	FS235
LUBER-FINER	L2548F
ORTURBO	WY 80.130
VAPORMATIC	CPD6085
WIX	33531
WIX	33535
WIX	33547

O.E.M.:

CATERPILLAR	100-6374
CATERPILLAR	1383100
JOHN DEERE	RE 62 418
JOHN DEERE	RE 64 449
JOHN DEERE	RE50455
PERKINS	26560145
PERKINS	26560920
RENAULT AGRICULTUR	7701456922

Car manufacturer	model/serie	volume ccm	engine code	kw	hp	from	to	Comment
CATERPILLAR	300-Serie	312 (6BL1->, 7						water separator
CATERPILLAR	300-Serie	312B (2KW1->						water separator
CATERPILLAR	300-Serie	PS 300B	3054 DIT					water separator
CATERPILLAR	M300-Serie	M 315 (7ML1->	Cat. 3054 DITA	86	117	01/96	12/02	water separator
JOHN DEERE	Tractor	5500	4039T					water separator
JOHN DEERE	Tractor	5500N	4039T					water separator
PERKINS	1000-Serie	1004 (TG->)						water separator
PERKINS	1000-Serie	1004-42		45	61	01/00		water separator
PERKINS	1000-Serie	1006 (TG->)						water separator