



Brake pad: **SP 666**

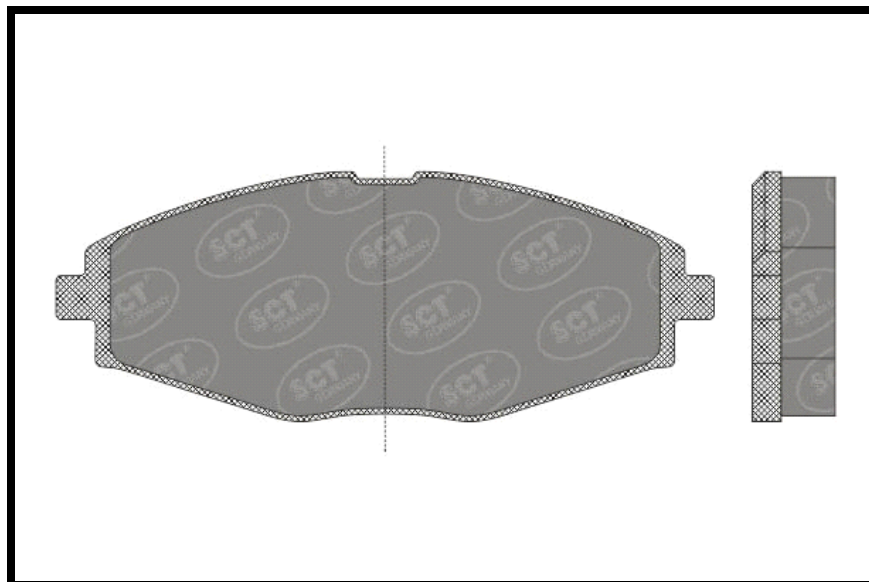
Width: 127 **Hight:** 48,2 **Thickness:** 15,7

WVA: 23241 **Comment:** PROFILINE

Barcode:

References+O.E.M:

AP LOCKHEED (DELPHI) LP1390
 BENDIX 572402B
 BOSCH 0 986 424 512
 CHEVROLET (GM)/DAEW 96281945
 CHEVROLET (GM)/DAEW 96288629
 CHEVROLET (GM)/DAEW 96316582
 CHEVROLET (GM)/DAEW 96446176
 FEBI BILSTEIN 16341
 FERODO FDB1337
 ICER 181262
 JAPAN PARTS PA-W04AF
 JURID 572402J
 LUCAS (TRW) GDB3195
 NK 225004
 OPTIMAL 10313
 REMSA 0696.00
 TRISCAN 8110 21002
 VALEO 598316



Hersteller	Modell	Hubraum.	Motor	kw	ps	von	bis	Bremssystem	F/H	Sensor	beluftet
DAEWOO/CHEVROLE	Lanos	1.3	A 14 SMS	55	75	07/97		AKE	F		
DAEWOO/CHEVROLE	Lanos	1.4i SE	A 14 SMS	55	75	10/97		AKE	F		
DAEWOO/CHEVROLE	Lanos	1.5	A 15 SMS	63	86	07/97		AKE	F		
DAEWOO/CHEVROLE	Lanos	1.5	A 15 SMS	73	99	10/97	06/99	AKE	F		

DAEWOO/CHEVROLE Matiz	0.8	F8CV	38	52	06/05		AKE	F
DAEWOO/CHEVROLE Matiz	1.0	B10S	47	64	03/03	05/05	AKE	F
DAEWOO/CHEVROLE Matiz	1.0	B10S1	49	67	06/05		AKE	F
DAEWOO/CHEVROLE Spark	0.8	F8CV	37	50	05/05		AKE	F
DAEWOO/CHEVROLE Spark	1.0 SX	B10S, LA2	46	63	05/05		AKE	F